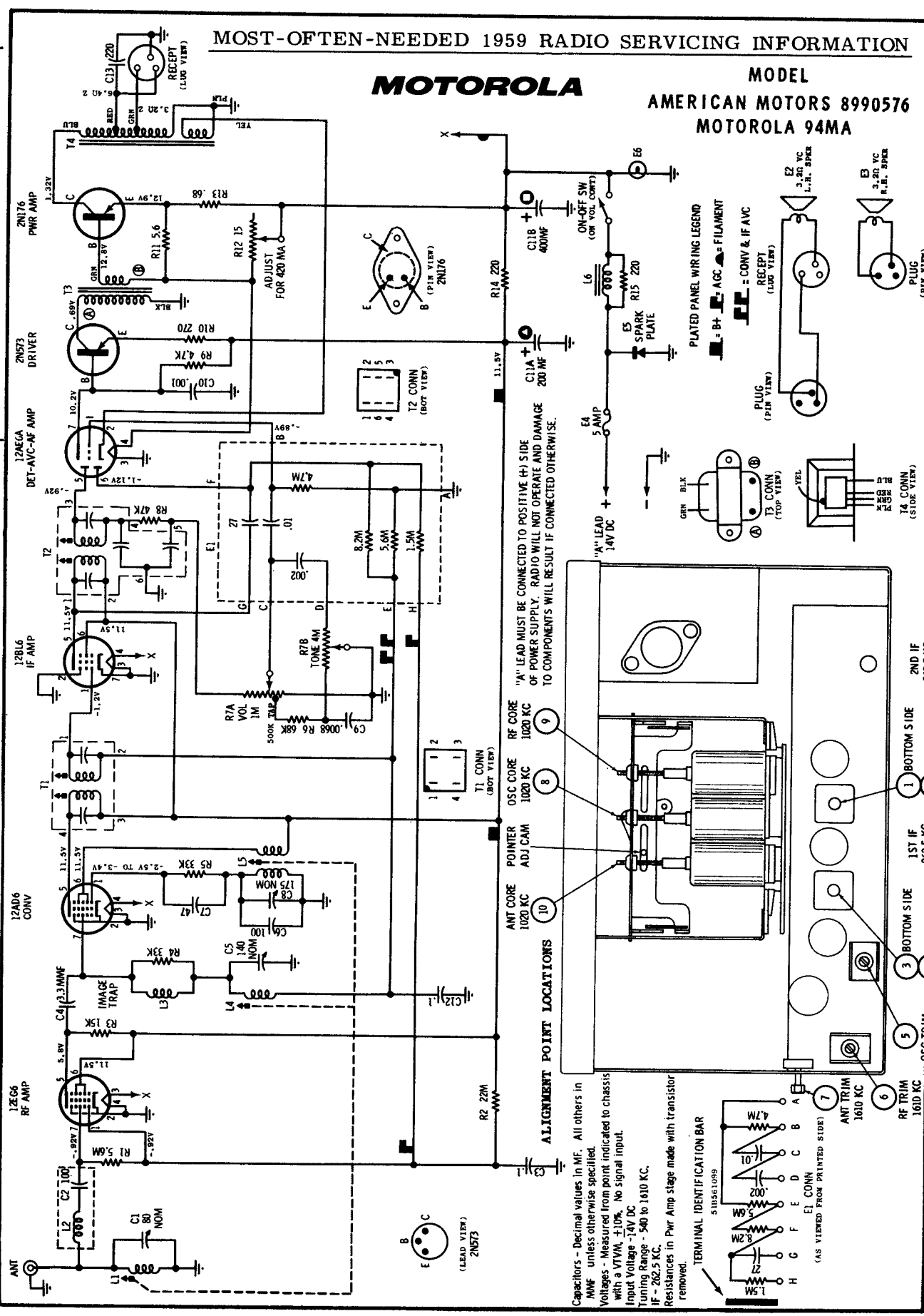


MOST-OFTEN-NEEDED 1959 RADIO SERVICING INFORMATION

MOTOROLA

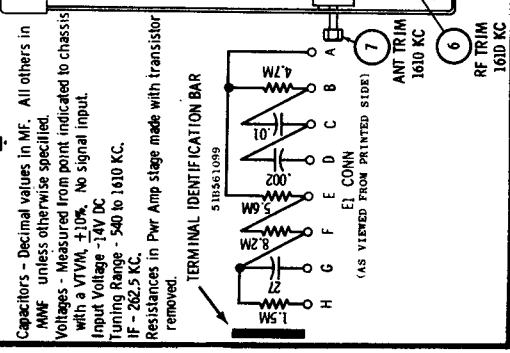
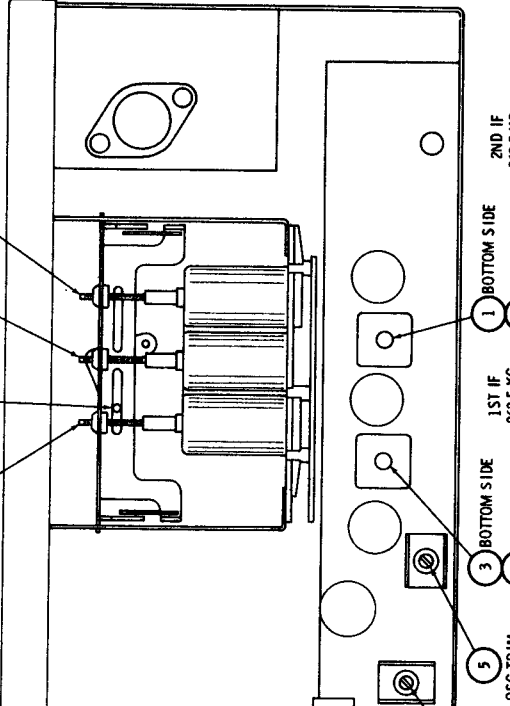
MODEL
AMERICAN MOTORS 8990576
MOTOROLA 94MA

VC
FOR ONE WATT OUTPUT
1.25V @ 400 CYCLES AT GRID OF 12A6GA
40X
262.5 KC TO 400 CYCLES
70X
1000 KC TO 262.5 KC
3.3X
1000 KC
6.3X
1000 KC



"A" LEAD MUST BE CONNECTED TO POSITIVE (+) SIDE OF POWER SUPPLY. RADIO WILL NOT OPERATE AND DAMAGE TO COMPONENTS WILL RESULT IF CONNECTED OTHERWISE.

ALIGNMENT POINT LOCATIONS



Capacitors - Decimal values in MF. All others in MMF unless otherwise specified.
Voltages - Measured from point indicated to chassis with a VTVM, $\pm 10\%$. No signal input.
Input Voltage - 114V DC
Tuning Range - 540 to 1610 KC.
Resistances in Pwr Amp stage made with transistor removed.

